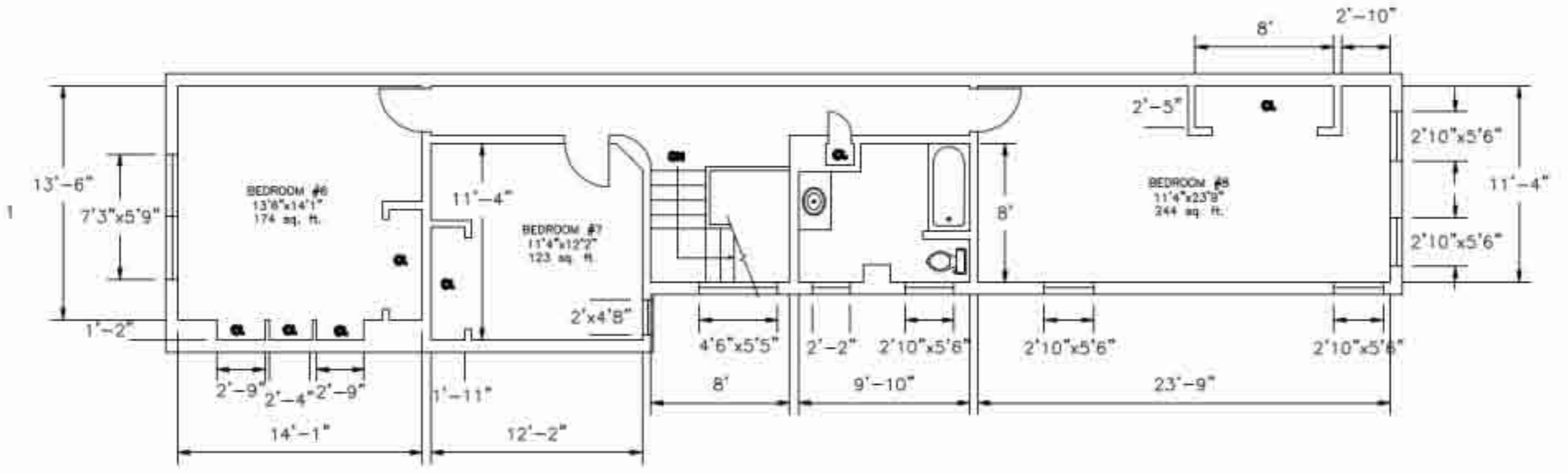
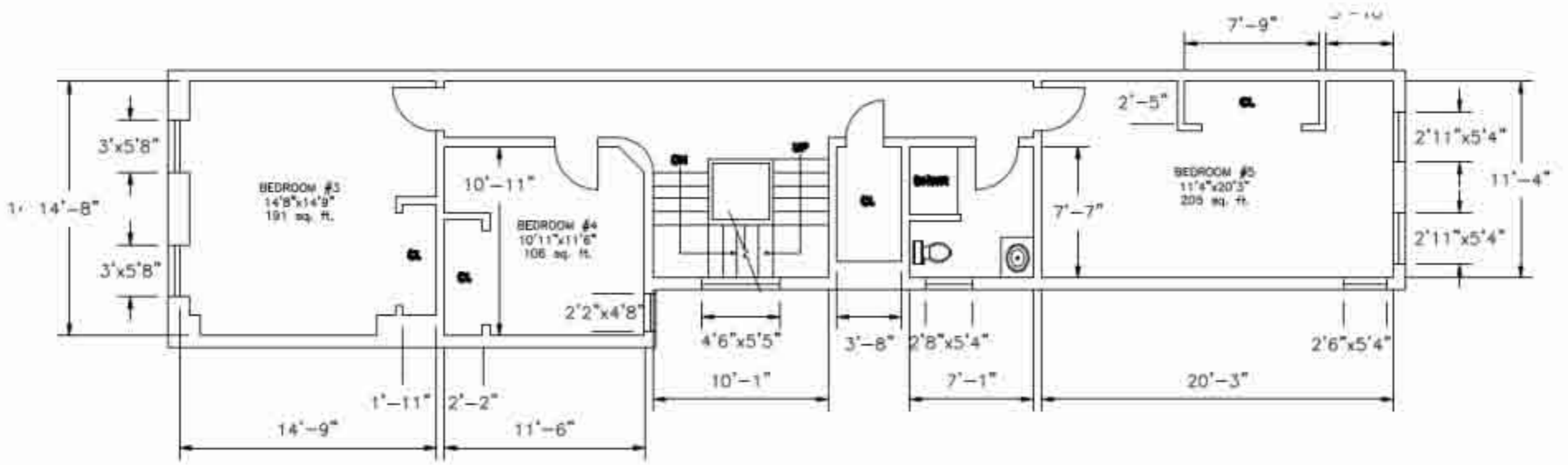


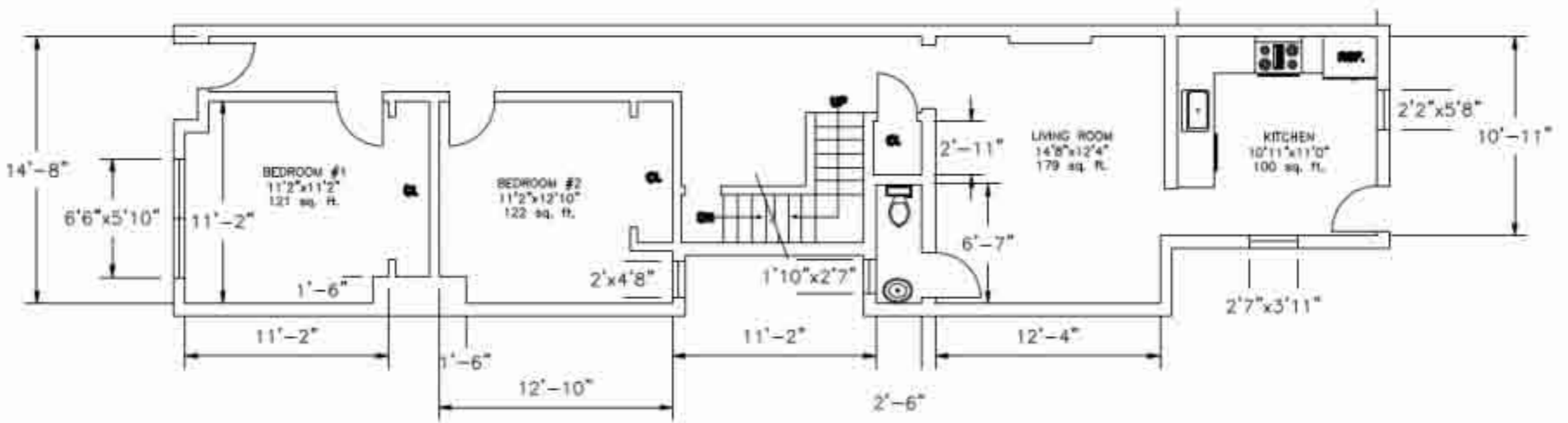
1850 N. 16TH ST.



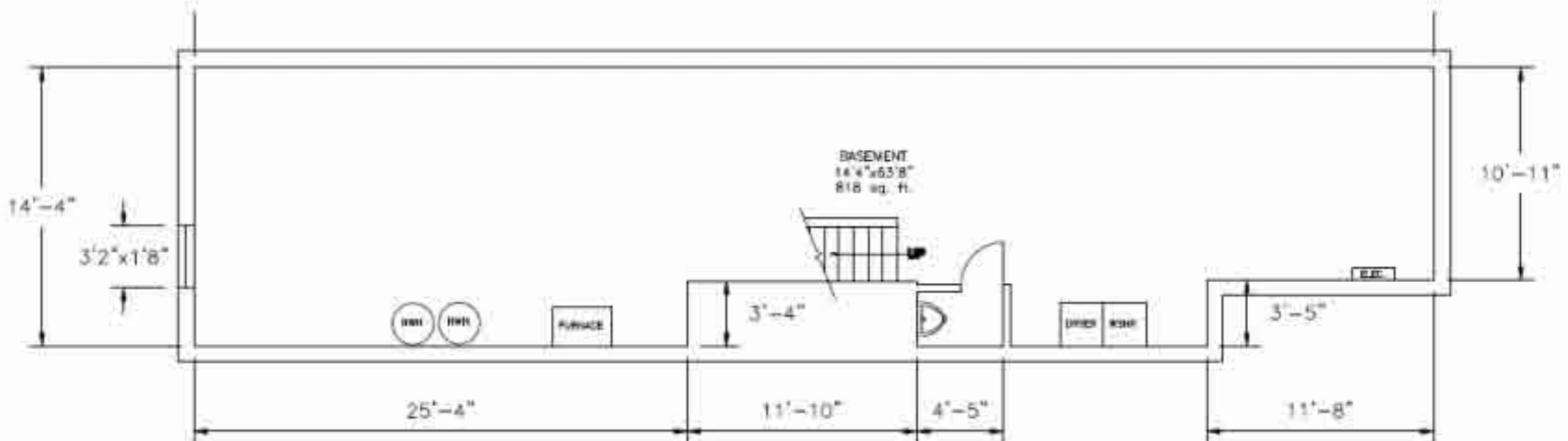
Third Floor
Scale: 3/32" = 1'-0"



Second Floor
Scale: 3/32" = 1'-0"



First Floor
Scale: 3/32" = 1'-0"



Basement
Scale: 3/32" = 1'-0"